

Collection Solution

Chip Container SPB 100/130



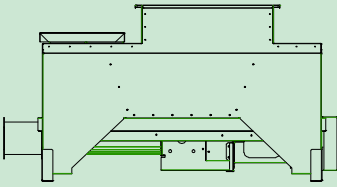
specifically for VACOMATEN

Specific solutions for your mobile dust extractor

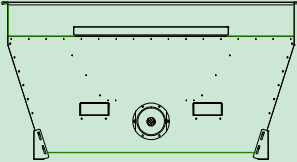


Dust extractor VACOMAT 350 XP with chip collector SPB 100/4/130 and briquetting press Compacto

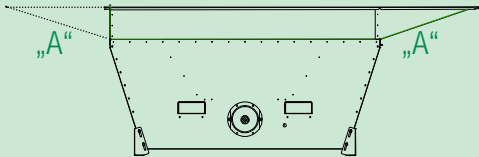
side view



Front view

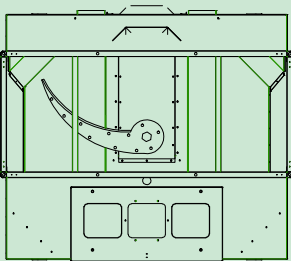


SPB 100/3/130

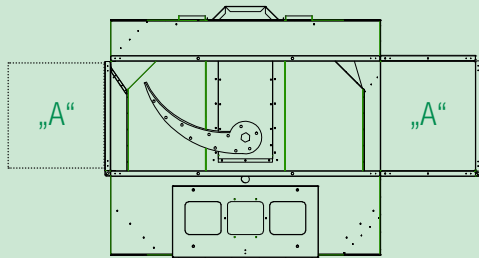


SPB 100/4/130

top view



SPB 100/3/130

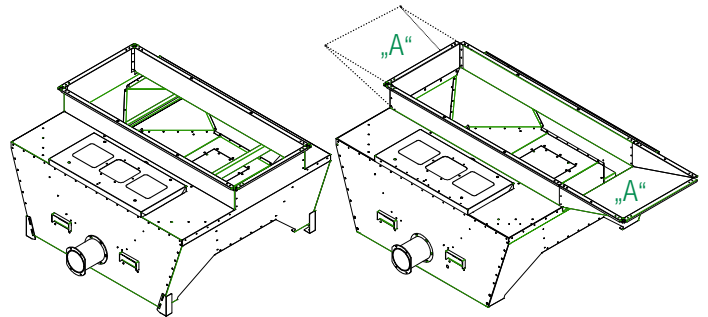


SPB 100/4/130

The SCHUKO chip collector in **2 variants** to be built under our VACOMAT.

- The chip container SPB 100/3/130 is designed for the VACOMAT 200 XP.
- SPB/100/4/130 for large VACOMATS 250 XP, 300 XP, 350 XP and TWIN are laterally screwed extensions „A“ (left or right) available.

Both chips containers are secured with a lead frame and have an inspection viewing flap with a window. They are ready to plug in (includes power cable and plug) and a phase inverter is provided.



chip collector	SPB 100/3/130	SPB 100/4/130
Item number:	750130	750150
Volume:	1.0 m ³	1.0 m ³
Motor drive:	1.5 kW 34.4 U/min	1.5 kW 34.4 U/min
Weight:	225 kg	230 kg
Dimensions (L x W x H):	1,715 x 1,720 x 910 mm	2,295 x 1,720 x 910 mm



Schuko

Dust extraction and filter technology

Tel. +49 (0)180 /11 11 900
Fax +49 (0)180 /18 73 044

info@schuko.com
www.schuko.com